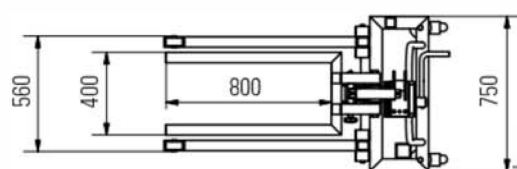
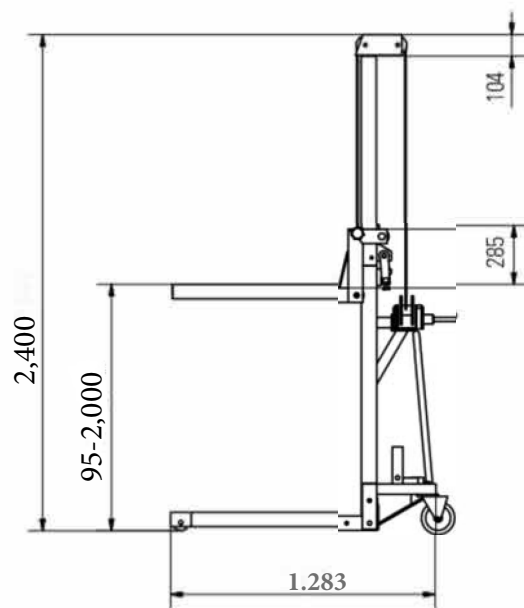
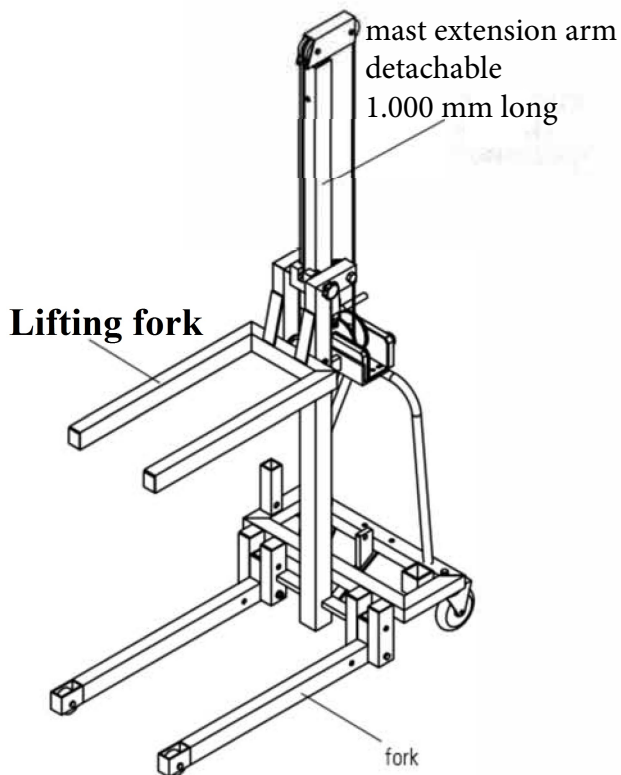
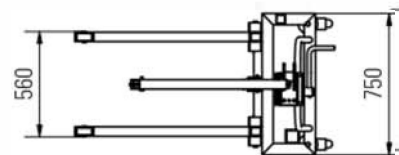
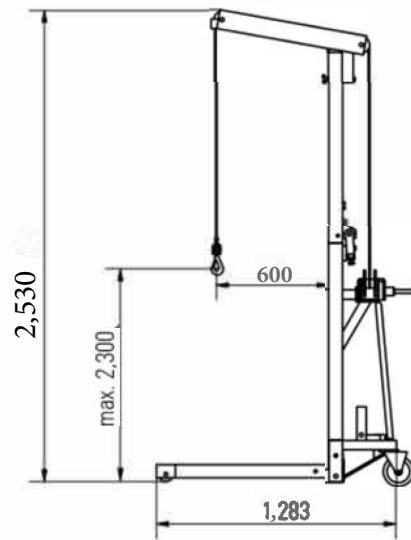
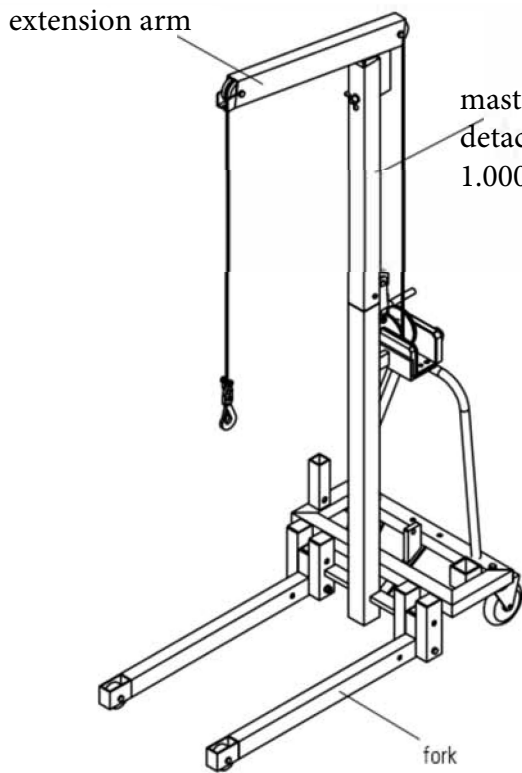
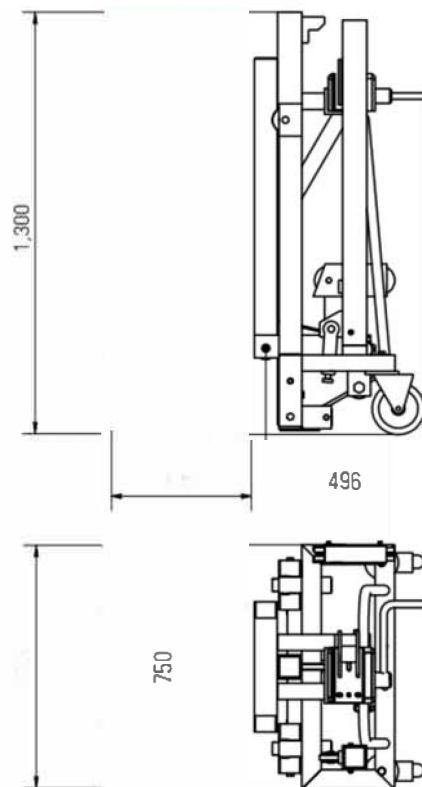
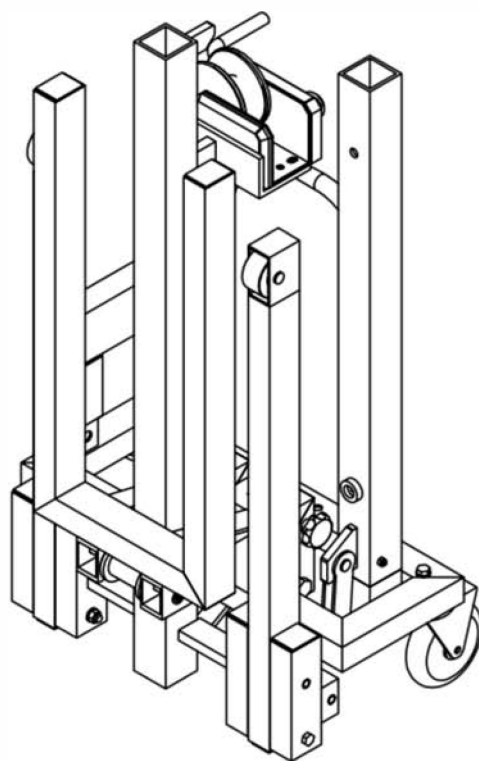


Aluminium multilift





Technical Data

load capacity 250 kg
 own weight 70 kg
 base fork width 560 mm
 fork height 95 mm
 (measurement floor to
 top side of forks)

with cable winch
 incl. anti-turn secured cable rope
 diameter 5 mm
 cable length 5,100 mm
 travel per rotation 50 mm
 one end pointed, one end with thimble

with 2 pieces heavy-duty tyres
 steel swivel casters
 with integrated wheel and live
 ring brake
 with super-elastic-solid rubber
 tyres
 diameter 160 mm
 These tyres are mounted to the base
 frame.

with 2 pieces guide roller resp. fork
 caster made of high quality plastic
 diameter 80 mm
 These casters are mounted to the fork.

extension mast is detachable
 (1,000 mm)

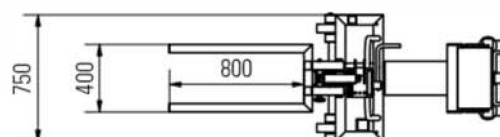
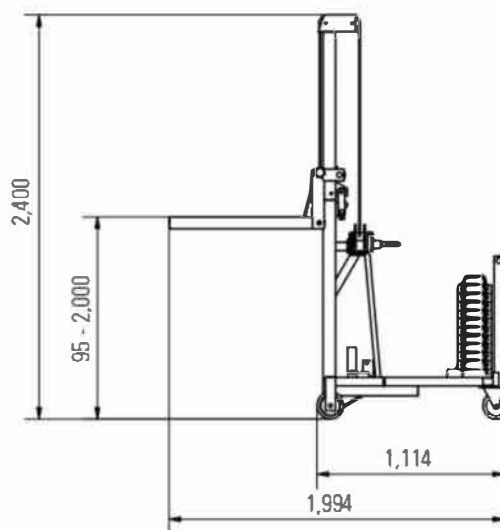
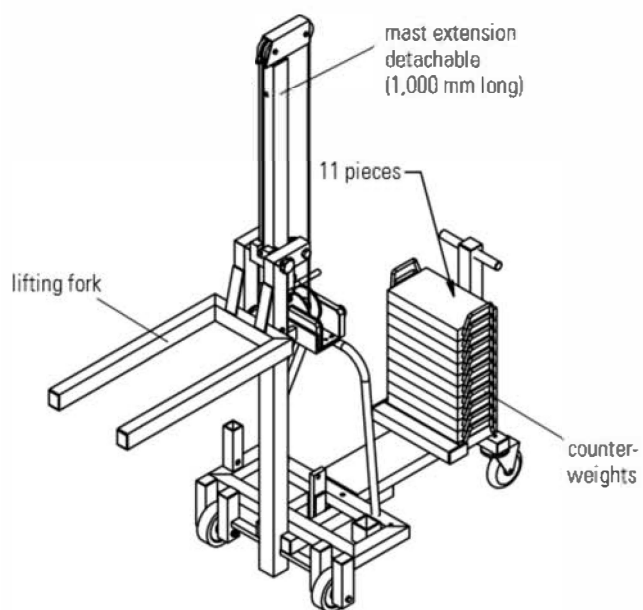
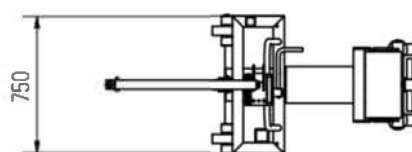
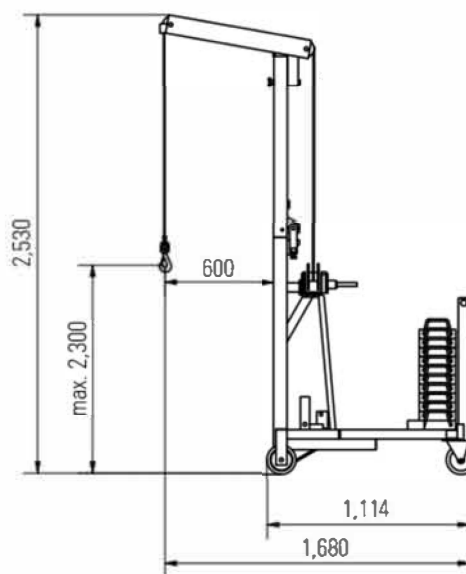
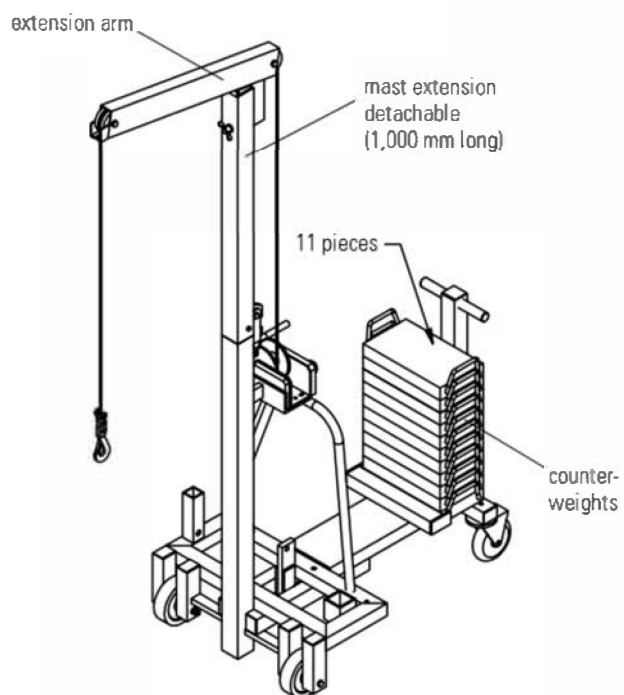
Version with extension arm:
 reach 600 mm
 travel of hook 2,300 mm
 with safety snap hooks made of stain-
 less steel (whirl hook)
 rotates through 360° under load

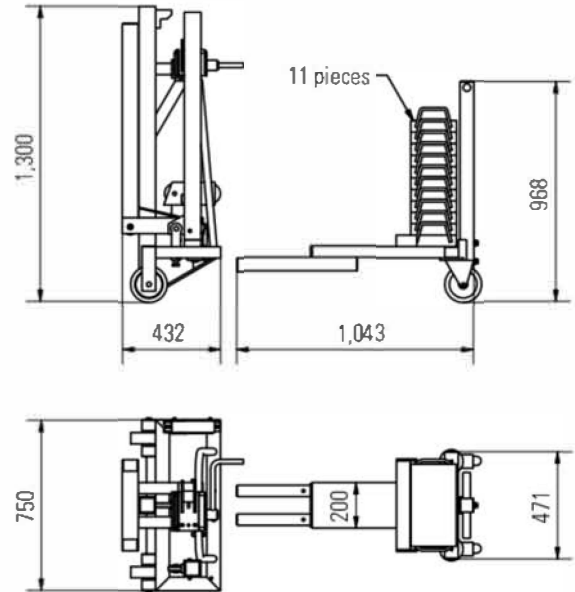
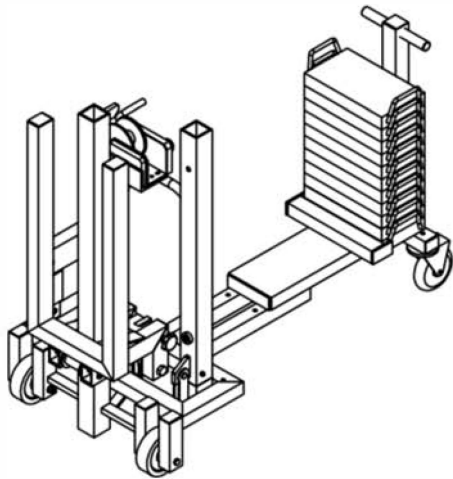
Version with lifting fork:
 lifting height 95 - 2,000 mm
 fork width 400 mm
 fork length 800 mm

Description

- Delivery contents:
 including extension arm
 including lifting fork
- The Aluminium Multilift has been
 especially developed for companies
 that are in need of a mobile lifting
 device.
- The lifting operation is performed by a
 cable winch.
- The lift's mast can be divided.
- The Aluminium Multilift can be folded
 completely with a minimum of effort
 and space saving stored.
- It can be effortlessly transported in a
 van.
- It is suitable for use with standard
 wooden pallets as well as mesh-cages
 and stillage's.

Aluminium Multilift with counterweight





Technical Data

load capacity 250 kg
 own weight 400 kg

with cable winch
 incl. anti-turn secured cable rope
 diameter 5 mm
 cable length 5,100 mm
 travel per rotation 50 mm
 one end pointed, one end with thimble

with 2 pieces heavy-duty tyres
 with super-elastic-solid rubber
 tyres
 diameter 160 mm
 These tyres are mounted to the base
 frame.

with 2 pieces heavy-duty tyres
 steel swivel casters
 with integrated wheel and live
 ring brake
 with super-elastic-solid rubber
 tyres
 diameter 160 mm
 These tyres are mounted to the add-on
 part.

extension mast is detachable
 (1,000 mm)

Version with extension arm:
 reach 600 mm
 travel of hook 2,300 mm
 with safety snap hooks made of stain-
 less steel (whirl hook)
 rotates through 360° under load

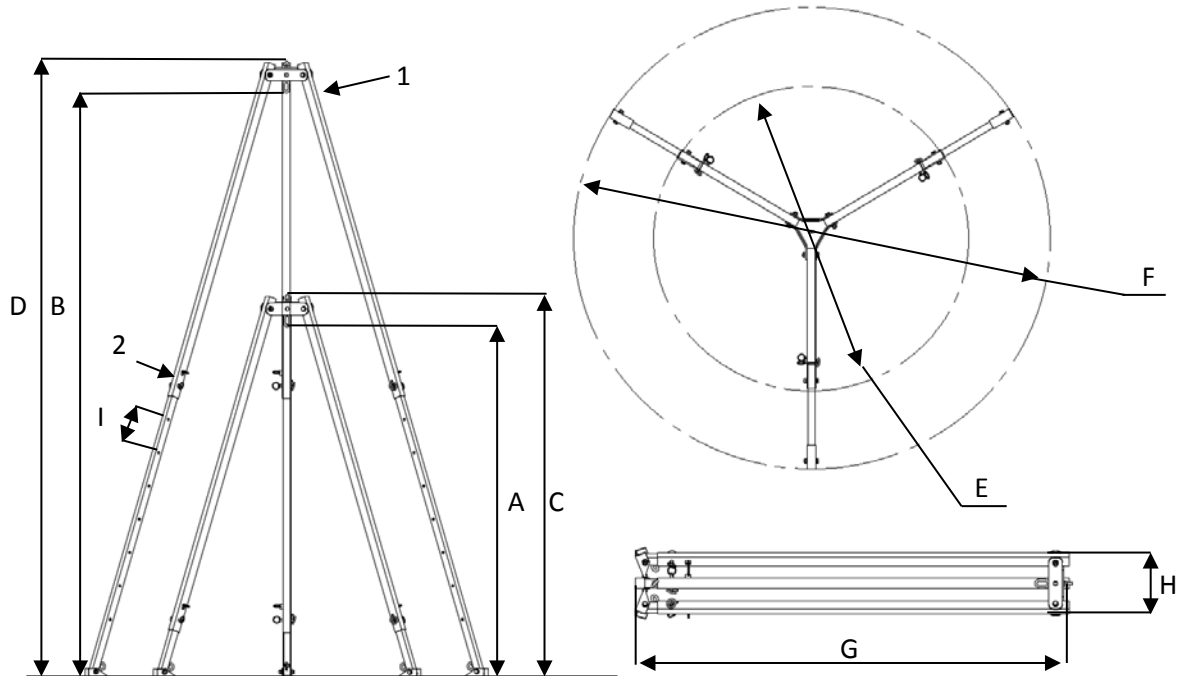
Version with lifting fork:
 lifting height 95 - 2,000 mm
 fork width 400 mm
 fork length 800 mm

Description

- Delivery contents:
 including extension arm
 including lifting fork
- The Aluminium Multilift has been
 especially developed for companies
 that are in need of a mobile lifting
 device.
- The lifting operation is performed by a
 cable winch.
- The lift's mast can be divided.
- The counterweights are provided with
 a safety device to prevent inadvertent
 removal.
- The Aluminium Multilift can be folded
 completely with a minimum of effort
 and space saving stored.
- It is possible to remove the add-on
 part (incl. 11 counterweights) from the
 Aluminium Multilift with four screw
 connections.



**TRA TRIPODE ALUMINIUM PLIABLE
FOLDING ALUMINIUM TRIPOD
TREMPIEDE IN ALLUMINIO**



1	Anneau d'accrochage	Hooking ring	Aggancio anello
2	Axe de blocage de hauteur	Locking pin height	Perno per regolare altezza
A	Hauteur sous œil mini	Height under lifting hook min	Altezza sottogancio minima
B	Hauteur sous œil maxi	Height under lifting hook max	Altezza sottogancio massima
C	Hauteur totale mini	OverallHeight min	Altezza totale minima
D	Hauteur totale maxi	OverallHeight max	Altezza totale massima
E	Diamètre d'ouverture des pieds mini	Opening diameter of the feet mini	Diametro d'apertura minimo
F	Diamètre d'ouverture des pieds maxi	Opening diameter of the feet maxi	Diametro d'apertura massimo
G x H	Dimensions pour transport	Dimensions for transport	Dimensioni per il trasporto
I	Pas de réglage = 150 mm	Pitch = 150 mm	Passo di regolazione = 150 mm

Descriptif

- Construction légère
- Structure en aluminium
(Tête en acier pour les modèles 2000 Kg et 3000 Kg)
- Pieds télescopiques : Montants aluminium réglables au pas de 150 mm
- Liaison des pieds assurée par chaîne en acier galvanisé munie d'un mousqueton
- Adapté à tout terrain : Pieds articulés ayant deux positions pour sol dur et sol mou
- Manutention et mise en place aisées dues à son faible poids

Description

- Light construction
- System in aluminium
(Head in steel for model 2000 Kg and 3000 Kg)
- Telescopic feet : Aluminium adjustable bracket with a pitch of 150 mm
- Attachment of the feet by a galvanized chain with a snap hook
- Suitable for all floor : Articulated feet featuring two positions for hard or soft ground
- Flexibility of movement due to its light weight

Descrizione

- Costruzione leggera
- Struttura in alluminio
(Testa in acciaio per modelli 2000 e 3000 Kg)
- Piedi telescopici: montanti in alluminio regolabili con passo da 150 mm
- Fissaggio dei piedi con catena galvanizzata munita di moschettone
- Adatto a tutti i terreni: Piedi articolati con due posizioni per terreno duro o morbido
- Flessibilità di movimentazione grazie al poco peso della struttura